

Metallized Polypester Film Capacitor (CL21) Data Sheet

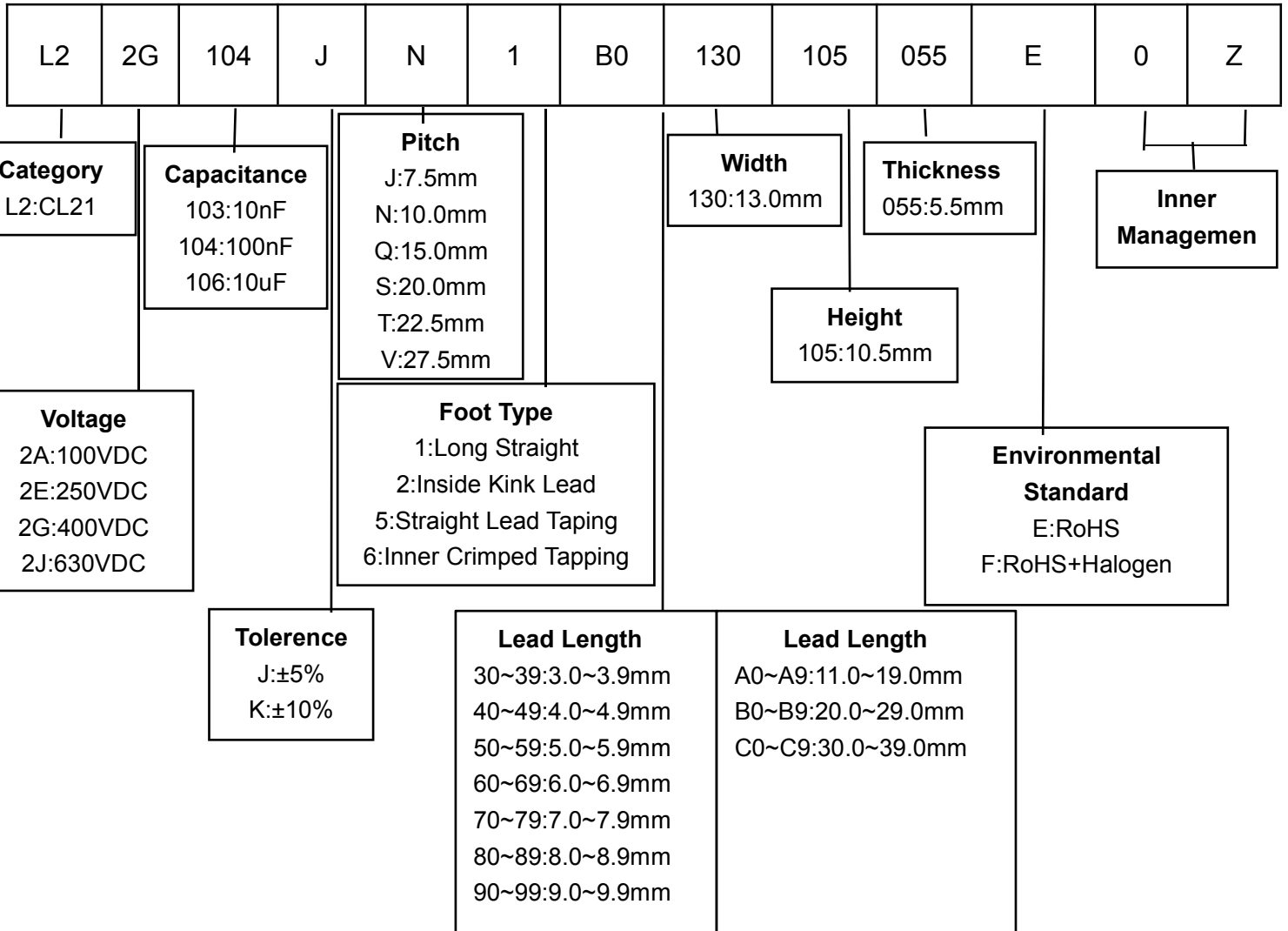
Feature

- Wide operating voltage range from 0.01uF to 10.0uF
- Operating Temperature: -40°C ~ 85°C
- Storage Temperature: 15°C ~ 35°C
- Wide capacitance range, small size
- Metallized polyester film, non-inductive construction
- Self-healing property, long life
- Epoxy resin sealing

Applications

- Widely used in filter and low pulse circuits
- Widely used in high temperature light
- Suitable blocking, By-passing, and coupling

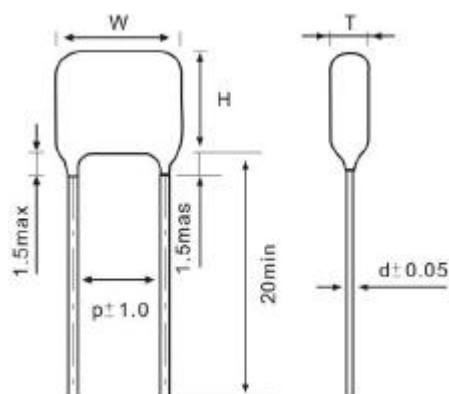
Part Number Code



Specifications

Climatic Category	40/100/56
Rated Voltage	100VDC、250VDC、 400VDC、630VDC、
Dissipation Factor (tanδ)	≤1.0%(1KHz、1.0Vrms、20℃)
Withstand Voltage	1.6U _R (5s)
Insulation Resistance (I.R.)	U _R > 100V C ≤ 0.33uF, IR ≥ 30000MΩ C > 0.33uF, IR ≥ 10000S U _R ≤ 100V C ≤ 0.33uF, IR ≥ 15000MΩ C > 0.33uF, IR ≥ 5000S (AT 100VDC、60SEC、20℃)

Dimensions (mm)

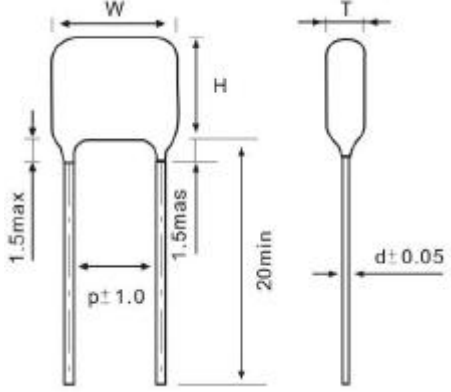
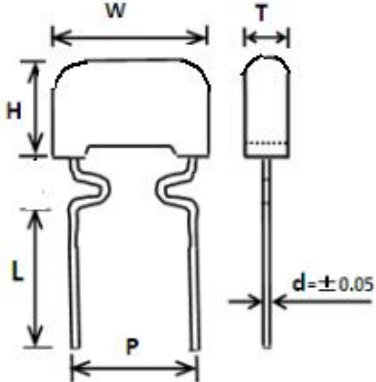


Capacitance (uF)	Rated Voltage	Size (mm)				
		W Max	H Max	T Max	P±1.0	d±0.05
0.01	100VDC	10.0	8.0	4.5	7.5	0.6
	250VDC	10.0	8.0	4.5	7.5	0.6
	400VDC	10.0	8.0	4.5	7.5	0.6
	630VDC	13.0	8.5	5.5	10.0	0.6
0.015	100VDC	10.0	8.5	5.0	7.5	0.6
	250VDC	10.0	8.5	5.0	7.5	0.6
	400VDC	10.0	8.5	5.0	7.5	0.6
	630VDC	13.0	9.5	6.0	10.0	0.6
0.022	100VDC	10.0	8.0	5.0	7.5	0.6
	250VDC	10.0	8.0	5.0	7.5	0.6
	400VDC	13.0	9.5	5.5	10.0	0.6
	630VDC	13.0	9.5	5.5	10.0	0.6
0.033	100VDC	10.0	8.5	5.0	7.5	0.6
	250VDC	10.0	8.5	5.0	7.5	0.6
	400VDC	13.0	9.5	5.5	10.0	0.6
	630VDC	13.0	9.5	5.5	10.0	0.6
0.047	100VDC	10.0	8.5	5.0	7.5	0.6
	250VDC	10.0	9.0	5.5	7.5	0.6
	400VDC	13.0	8.0	5.0	10.0	0.6
	630VDC	13.0	9.5	6.5	10.0	0.6
0.068	100VDC	10.0	8.5	5.5	7.5	0.6
	250VDC	10.0	8.5	5.5	7.5	0.6
	400VDC	13.0	9.0	6.0	10.0	0.6
	630VDC	13.0	11.5	7.0	10.0	0.6

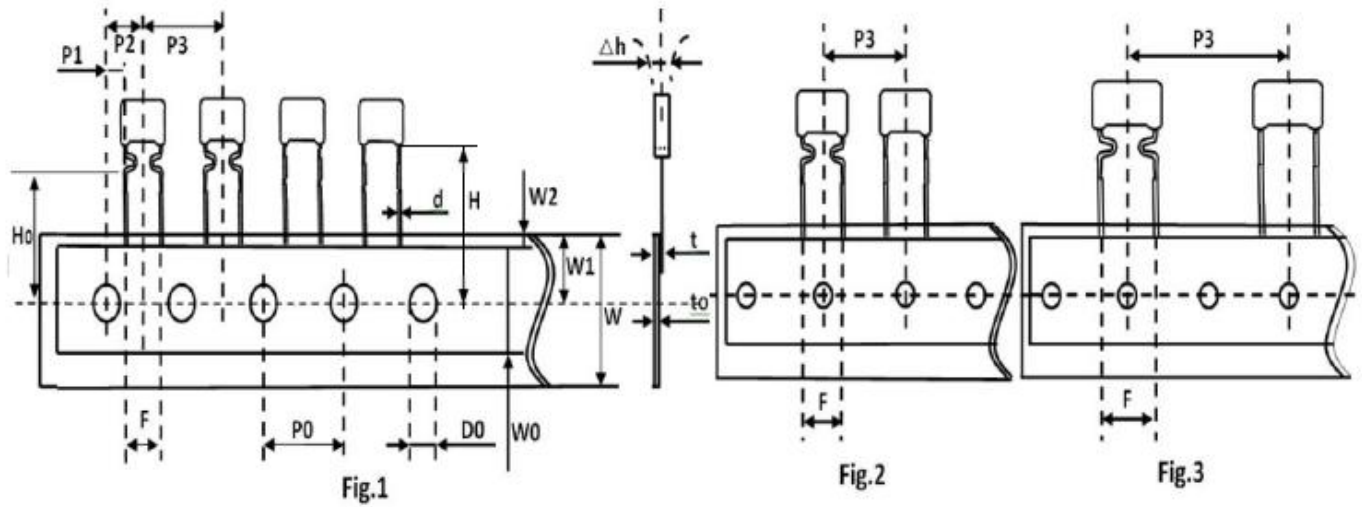
Capacitance (uF)	Rated Voltage	Size (mm)				
		W Max	H Max	T Max	P ± 1.0	d ± 0.05
0.1	100VDC	10.0	9.5	5.5	7.5	0.6
	250VDC	13.0	9.5	5.5	10.0	0.6
	400VDC	13.0	10.5	5.5	10.0	0.6
	630VDC	18.0	10.5	6.0	15.0	0.8
0.15	100VDC	13.0	8.5	5.5	10.0	0.6
	250VDC	13.0	10.5	5.0	10.0	0.6
	400VDC	13.0	11.5	7.0	10.0	0.6
	630VDC	18.0	12.0	7.0	15.0	0.8
0.22	100VDC	13.0	8.5	5.5	10.0	0.6
	250VDC	13.0	11.0	6.0	10.0	0.6
	400VDC	18.0	12.0	6.5	15.0	0.8
	630VDC	18.0	13.5	8.0	15.0	0.8
0.33	100VDC	13.0	8.5	5.5	10.0	0.6
	250VDC	18.0	10.5	6.0	15.0	0.8
	400VDC	18.0	12.5	7.0	15.0	0.8
	630VDC	18.0	16.5	9.5	15.0	0.8
0.47	100VDC	13.0	9.0	5.5	10.0	0.6
	250VDC	18.0	12.0	6.5	15.0	0.8
	400VDC	18.0	15.0	8.0	15.0	0.8
	630VDC	23.0	16.5	9.5	20.0	0.8
0.68	100VDC	13.0	10.0	6.0	10.0	0.6
	250VDC	18.0	13.5	8.0	15.0	0.8
	400VDC	18.0	17.0	9.5	15.0	0.8
	630VDC	23.0	18.0	11.0	20.0	0.8
1.0	100VDC	18.0	13.0	7.5	15.0	0.8
	250VDC	18.0	15.5	9.5	15.0	0.8
	400VDC	23.0	17.5	9.5	20.0	0.8
	630VDC	25.0	20.0	12.5	22.5	0.8
1.2	100VDC	18.0	12.0	7.0	15.0	0.8
	250VDC	23.0	15.0	8.0	20.0	0.8
	400VDC	23.0	18.5	10.5	20.0	0.8
	630VDC	31.0	21.0	12.0	27.5	0.8
1.5	100VDC	18.0	12.5	7.5	15.0	0.8
	250VDC	23.0	16.5	9.0	20.0	0.8
	400VDC	25.0	19.0	10.5	22.5	0.8
	630VDC	31.0	22.5	13.5	27.5	0.8

Capacitance (uF)	Rated Voltage	Size (mm)				
		W Max	H Max	T Max	P ± 1.0	d ± 0.05
2.2	100VDC	18.0	16.0	10.0	15.0	0.8
	250VDC	23.0	20.0	9.0	20.0	0.8
	400VDC	31.0	20.0	11.0	27.5	0.8
3.3	100VDC	23.0	15.5	8.5	20.0	0.8
	250VDC	25.0	21.0	11.5	22.5	0.8
	400VDC	31.0	23.0	13.5	27.5	0.8
4.7	100VDC	23.0	17.0	10.0	20.0	0.8
	250VDC	31.0	22.0	12.5	27.5	0.8
6.8	100VDC	25.0	18.0	12.0	22.5	0.8
10.0	100VDC	31.0	19.0	12.0	27.5	0.8

Lead Configuration

Lead Style	Drawing	Lead Length L (mm)
Long Straight		<p>①$[2.5 \leq L < 6.0] + / - 0.5$; ②$[6.0 \leq L \leq 10] + / - 1.0$</p>
Inner Crimped		<p>①$[2.5 \leq L < 6.0] + / - 0.5$; ②$[6.0 \leq L \leq 10] + / - 1.0$</p>

Taping Specification (mm)



Symbol	Fig.1	Fig.2	Fig.2	Fig.3	Fig.3	Tolerance
	P=5.0	P=7.5	P=10	P=15	P=20/22.5	
P3	12.7	12.7	12.7	25.4	30.0	±1.0
P2	6.35	/	/	/	/	±1.3
P0	12.7	12.7	12.7	12.7	15.0	±0.3
P1	3.85	/	/	/	/	±0.7
F	5.0	7.5	10.0	15.0	20.0/22.5	±1.0
H	20.0	20.0	20.0	20.0	20.0	±1.0
H0	16.5	16.5	16.5	16.5	16.5	±0.5
Δh	0	0	0	0	0	±2.0
W	18.0	18.0	18.0	18.0	18.0	+1.0/-0.5
W0	12.0	12.0	12.0	12.0	12.0	±1.0
W1	9.0	9.0	9.0	9.0	9.0	±0.5
W2	3.0	3.0	3.0	3.0	3.0	Max
D0	4.0	4.0	4.0	4.0	4.0	±0.3
d	0.5	0.6	0.6	0.8	0.8	±0.05
t	1.0	1.1	1.1	1.4	1.4	±0.2
t0	0.38	0.38	0.38	0.47	0.47	±0.04