

## (CBB81) 高压金属化聚丙烯膜电容器规格书

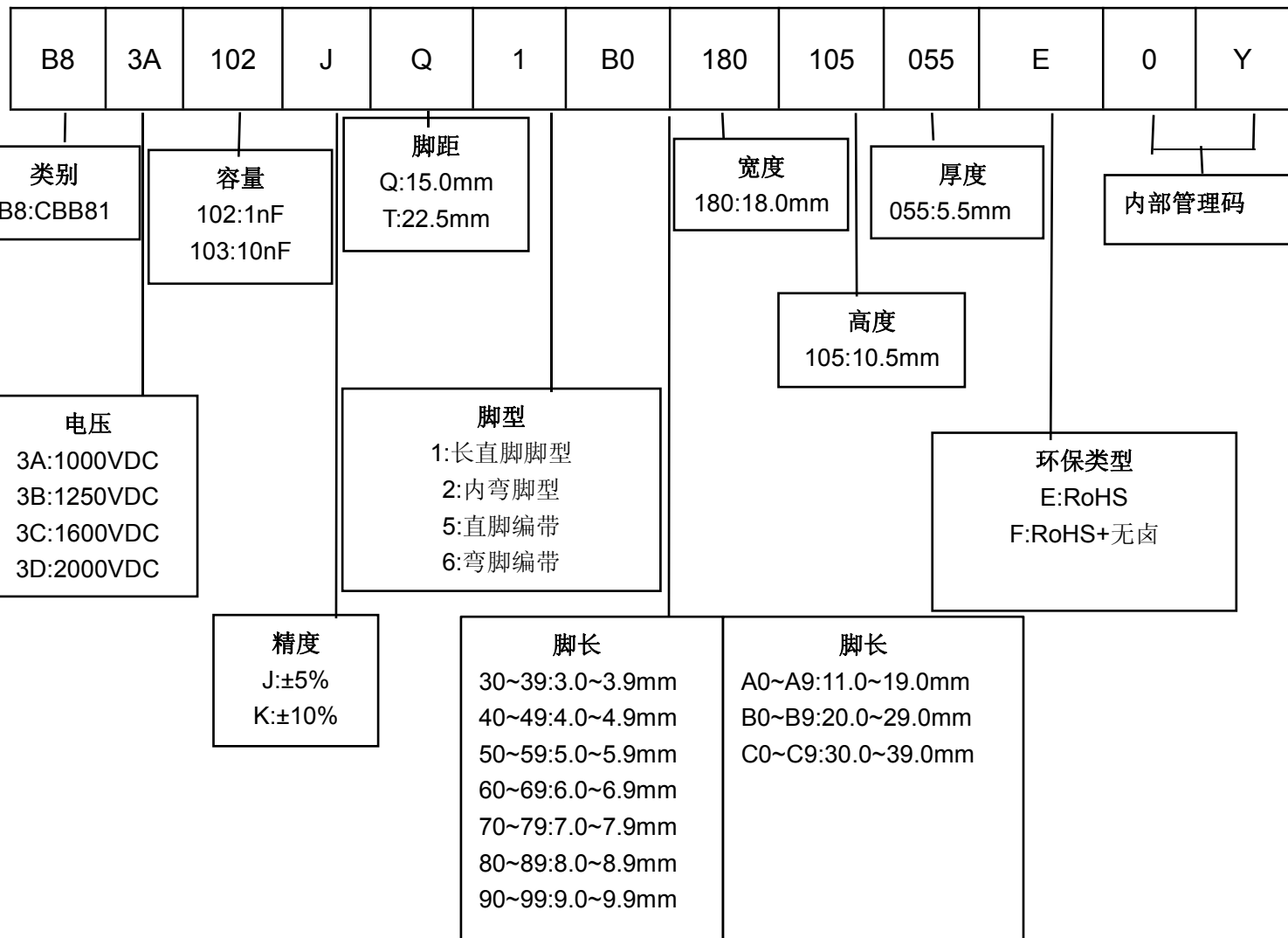
### 特点

- 电容器容量范围从 0.001uF 到 0.033uF。
- 工作温度：-40℃~85℃
- 储存温度：15℃~35℃
- 损耗少，内部温升小
- 金属化聚丙烯膜及铝箔组成，无感结构。
- 可承受高脉冲，大电流，耐高频 100KHz
- 容量变化少，负温度系数。
- 环氧树脂包封。

### 用途

- 主要适用于各种电子线路中的高脉冲线路、大电流。
- 适用于电子镇流器。

## 料号编码原则



## 技术要求

|       |                                                                      |
|-------|----------------------------------------------------------------------|
| 气候类别  | 40/100/56                                                            |
| 额定电压  | 1000VDC、1250VDC、<br>1600VDC、2000VDC、                                 |
| 损耗角正切 | ≤0.1%(1KHz、1.0Vrms、20℃)                                              |
| 耐电压   | 1.75U <sub>R</sub> (5s)                                              |
| 绝缘电阻  | C≤0.33uF, IR≥50000MΩ<br>C>0.33uF, IR≥15000S<br>(AT 100VDC、60SEC、20℃) |

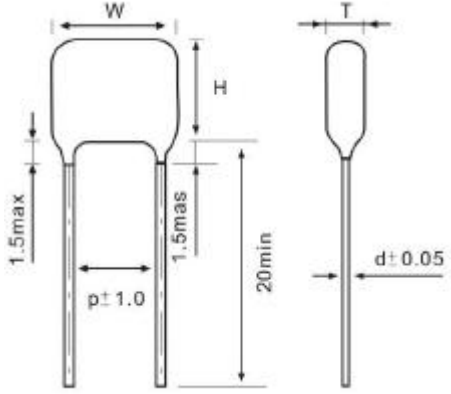
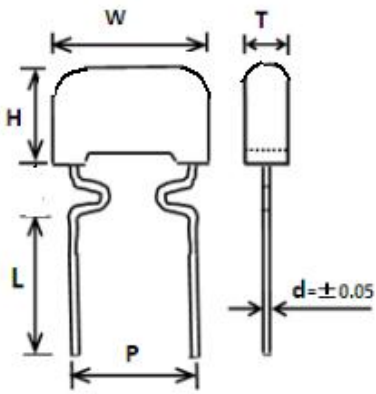
## 外形尺寸 (mm)



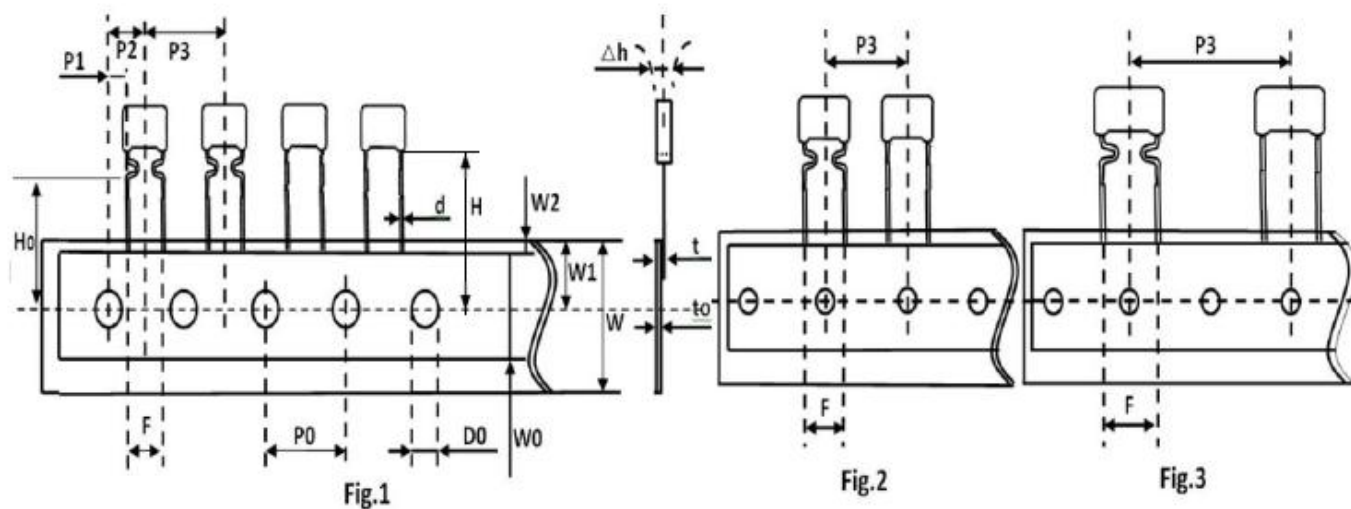
| 容量(uF) | 电压      | 尺寸(mm) |       |       |       |        |
|--------|---------|--------|-------|-------|-------|--------|
|        |         | W Max  | H Max | T Max | P±1.0 | d±0.05 |
| 0.001  | 1000VDC | 18.0   | 10.5  | 5.5   | 15.0  | 0.8    |
|        | 1250VDC | 18.0   | 10.5  | 5.5   | 15.0  | 0.8    |
|        | 1600VDC | 18.0   | 10.5  | 5.5   | 15.0  | 0.8    |
|        | 2000VDC | 18.0   | 10.5  | 5.5   | 15.0  | 0.8    |
| 0.0012 | 1000VDC | 18.0   | 11.0  | 6.0   | 15.0  | 0.8    |
|        | 1250VDC | 18.0   | 11.0  | 6.0   | 15.0  | 0.8    |
|        | 1600VDC | 18.0   | 11.0  | 6.0   | 15.0  | 0.8    |
|        | 2000VDC | 18.0   | 11.0  | 6.0   | 15.0  | 0.8    |
| 0.0015 | 1000VDC | 18.0   | 10.0  | 5.5   | 15.0  | 0.8    |
|        | 1250VDC | 18.0   | 10.0  | 5.5   | 15.0  | 0.8    |
|        | 1600VDC | 18.0   | 10.0  | 5.5   | 15.0  | 0.8    |
|        | 2000VDC | 18.0   | 10.0  | 5.5   | 15.0  | 0.8    |
| 0.0018 | 1000VDC | 18.0   | 10.5  | 5.5   | 15.0  | 0.8    |
|        | 1250VDC | 18.0   | 10.5  | 5.5   | 15.0  | 0.8    |
|        | 1600VDC | 18.0   | 10.5  | 5.5   | 15.0  | 0.8    |
|        | 2000VDC | 18.0   | 10.5  | 5.5   | 15.0  | 0.8    |
| 0.0022 | 1000VDC | 18.0   | 10.5  | 5.5   | 15.0  | 0.8    |
|        | 1250VDC | 18.0   | 10.5  | 5.5   | 15.0  | 0.8    |
|        | 1600VDC | 18.0   | 10.5  | 5.5   | 15.0  | 0.8    |
|        | 2000VDC | 18.0   | 11.0  | 6.0   | 15.0  | 0.8    |
| 0.0033 | 1000VDC | 18.0   | 10.5  | 5.5   | 15.0  | 0.8    |
|        | 1250VDC | 18.0   | 10.5  | 5.5   | 15.0  | 0.8    |
|        | 1600VDC | 18.0   | 12.0  | 6.5   | 15.0  | 0.8    |
|        | 2000VDC | 18.0   | 12.5  | 7.0   | 15.0  | 0.8    |

| 容量( $\mu\text{F}$ ) | 电压      | 尺寸(mm) |       |       |             |              |
|---------------------|---------|--------|-------|-------|-------------|--------------|
|                     |         | W Max  | H Max | T Max | P $\pm$ 1.0 | d $\pm$ 0.05 |
| 0.0047              | 1000VDC | 18.0   | 11.5  | 6.5   | 15.0        | 0.8          |
|                     | 1250VDC | 18.0   | 11.5  | 6.5   | 15.0        | 0.8          |
|                     | 1600VDC | 18.0   | 12.5  | 7.0   | 15.0        | 0.8          |
|                     | 2000VDC | 18.0   | 14.5  | 8.5   | 15.0        | 0.8          |
| 0.0068              | 1000VDC | 18.0   | 10.5  | 5.5   | 15.0        | 0.8          |
|                     | 1250VDC | 18.0   | 12.5  | 7.0   | 15.0        | 0.8          |
|                     | 1600VDC | 18.0   | 15.0  | 7.5   | 15.0        | 0.8          |
|                     | 2000VDC | 18.0   | 17.0  | 10.0  | 15.0        | 0.8          |
| 0.0082              | 1000VDC | 18.0   | 11.0  | 6.0   | 15.0        | 0.8          |
|                     | 1250VDC | 18.0   | 14.5  | 7.5   | 15.0        | 0.8          |
|                     | 1600VDC | 18.0   | 15.5  | 8.5   | 15.0        | 0.8          |
|                     | 2000VDC | 18.0   | 18.0  | 10.5  | 15.0        | 0.8          |
| 0.01                | 1000VDC | 18.0   | 11.5  | 6.5   | 15.0        | 0.8          |
|                     | 1250VDC | 18.0   | 14.5  | 8.5   | 15.0        | 0.8          |
|                     | 1600VDC | 18.0   | 16.5  | 9.5   | 15.0        | 0.8          |
|                     | 2000VDC | 25.0   | 16.0  | 9.0   | 22.5        | 0.8          |
| 0.012               | 1000VDC | 18.0   | 13.0  | 6.0   | 15.0        | 0.8          |
|                     | 1250VDC | 18.0   | 16.0  | 9.0   | 15.0        | 0.8          |
|                     | 1600VDC | 18.0   | 15.5  | 11.0  | 15.0        | 0.8          |
|                     | 2000VDC | 25.0   | 17.0  | 11.0  | 22.5        | 0.8          |
| 0.015               | 1000VDC | 18.0   | 14.0  | 7.0   | 15.0        | 0.8          |
|                     | 1250VDC | 18.0   | 17.0  | 10.0  | 15.0        | 0.8          |
|                     | 1600VDC | 25.0   | 15.0  | 8.0   | 22.5        | 0.8          |
|                     | 2000VDC | 25.0   | 18.0  | 10.5  | 22.5        | 0.8          |
| 0.018               | 1000VDC | 18.0   | 14.5  | 7.5   | 15.0        | 0.8          |
|                     | 1250VDC | 18.0   | 18.0  | 11.0  | 15.0        | 0.8          |
|                     | 1600VDC | 25.0   | 15.5  | 8.5   | 22.5        | 0.8          |
|                     | 2000VDC | 25.0   | 19.0  | 11.5  | 22.5        | 0.8          |
| 0.022               | 1000VDC | 18.0   | 15.5  | 8.5   | 15.0        | 0.8          |
|                     | 1250VDC | 25.0   | 15.0  | 8.0   | 22.5        | 0.8          |
|                     | 1600VDC | 25.0   | 16.0  | 9.0   | 22.5        | 0.8          |
|                     | 2000VDC | 25.0   | 19.5  | 12.0  | 22.5        | 0.8          |
| 0.033               | 1000VDC | 18.0   | 17.5  | 10.5  | 15.0        | 0.8          |
|                     | 1250VDC | 25.0   | 17.0  | 10.0  | 22.5        | 0.8          |
|                     | 1600VDC | 25.0   | 18.5  | 11.5  | 22.5        | 0.8          |

脚型、脚长说明

| 脚型   | 图示                                                                                 | 脚长 L (mm)                                                                                                               |
|------|------------------------------------------------------------------------------------|-------------------------------------------------------------------------------------------------------------------------|
| 长直脚型 |   | <p>①<math>[2.5 \leq L &lt; 6.0] + / - 0.5</math>;<br/>                 ②<math>[6.0 \leq L \leq 10] + / - 1.0</math></p> |
| 内弯脚型 |  | <p>①<math>[2.5 \leq L &lt; 6.0] + / - 0.5</math>;<br/>                 ②<math>[6.0 \leq L \leq 10] + / - 1.0</math></p> |

## 编带尺寸 (mm)



| 代码 | Fig.1 | Fig.2 | Fig.2 | Fig.3 | Fig.3     | 误差        |
|----|-------|-------|-------|-------|-----------|-----------|
|    | P=5.0 | P=7.5 | P=10  | P=15  | P=20/22.5 |           |
| P3 | 12.7  | 12.7  | 12.7  | 25.4  | 30.0      | ±1.0      |
| P2 | 6.35  | /     | /     | /     | /         | ±1.3      |
| P0 | 12.7  | 12.7  | 12.7  | 12.7  | 15.0      | ±0.3      |
| P1 | 3.85  | /     | /     | /     | /         | ±0.7      |
| F  | 5.0   | 7.5   | 10.0  | 15.0  | 20.0/22.5 | ±1.0      |
| H  | 20.0  | 20.0  | 20.0  | 20.0  | 20.0      | ±1.0      |
| H0 | 16.5  | 16.5  | 16.5  | 16.5  | 16.5      | ±0.5      |
| Δh | 0     | 0     | 0     | 0     | 0         | ±2.0      |
| W  | 18.0  | 18.0  | 18.0  | 18.0  | 18.0      | +1.0/-0.5 |
| W0 | 12.0  | 12.0  | 12.0  | 12.0  | 12.0      | ±1.0      |
| W1 | 9.0   | 9.0   | 9.0   | 9.0   | 9.0       | ±0.5      |
| W2 | 3.0   | 3.0   | 3.0   | 3.0   | 3.0       | Max       |
| D0 | 4.0   | 4.0   | 4.0   | 4.0   | 4.0       | ±0.3      |
| d  | 0.5   | 0.6   | 0.6   | 0.8   | 0.8       | ±0.05     |
| t  | 1.0   | 1.1   | 1.1   | 1.4   | 1.4       | ±0.2      |
| t0 | 0.38  | 0.38  | 0.38  | 0.47  | 0.47      | ±0.04     |